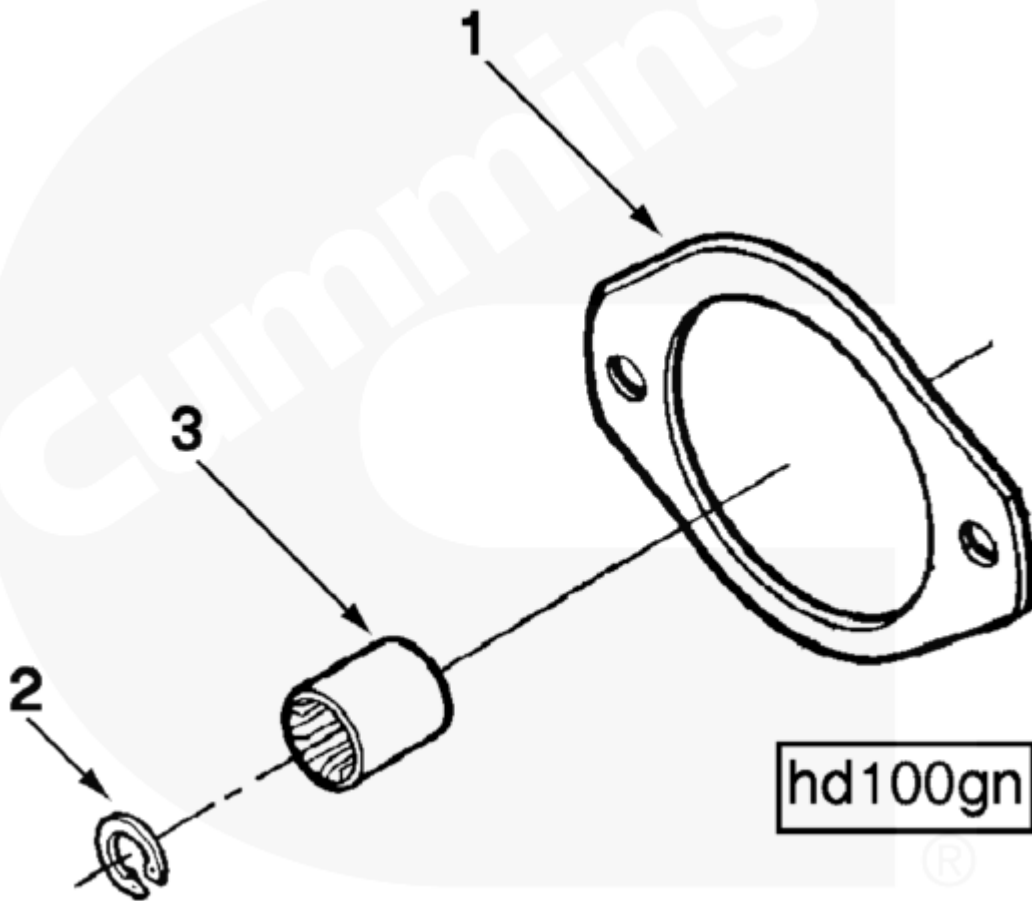




# Parts Catalog - Option Detail

Electronic Parts Catalog - Option Detail				
Option	Group	Graphic	Film Card	Date
HD1100-01	12.04	hd100gn	FF	16-DEC-00
<b>Engines</b>	G855, G855 CM558, GTA855 CM558 (CM2358) G101, N14 CELECT, N14 CELECT PLUS, N14 MECHANICAL, NH/NT 855, QSM11 CM876 M101, QSM11 CM876 M102M, QSN14 CM876 N103, QSN14 CM876 N105, QSNT14 CM876 N102			

©Cummins Inc



[SMALL](#) | [MEDIUM](#) | [LARGE](#)

Cart	Ref No	Part Number	Part Description	Required	Remarks
<a href="#">View My Cart</a>					
		<a href="#">HD1100-01</a>	Auxiliary Pump		<a href="#">11-tooth female - female...(More)</a>
					spline coupling to adapt
					hydraulic pump to the SAE "A"

					flange on rear of lub pump
					This is a kitted option.
<input type="checkbox"/>	1	<a href="#">154916</a>	Hydraulic Pump Gasket	1	
<input type="checkbox"/>	2	<a href="#">100475</a>	Retaining Ring	1	
<input type="checkbox"/>	3	<a href="#">3023506</a>	Spline Coupling Sleeve	1	

© 2019 Cummins Inc., Box 3005, Columbus, IN 47202-3005 U.S.A.  
Terms of Use and Disclaimers | Recommended System Requirements  
Need Assistance? Please click on the Contact Us button in the top right corner of any page.